

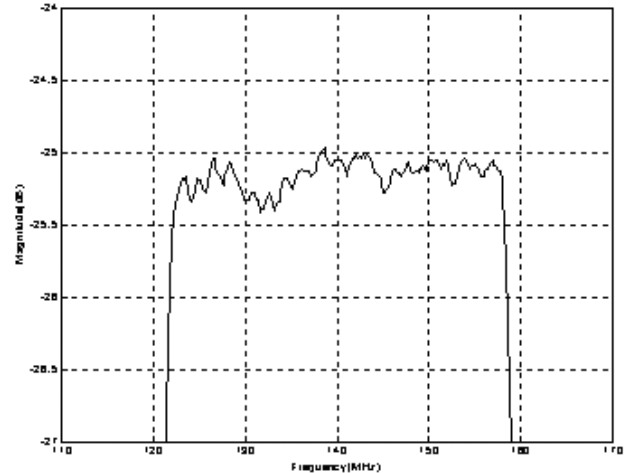
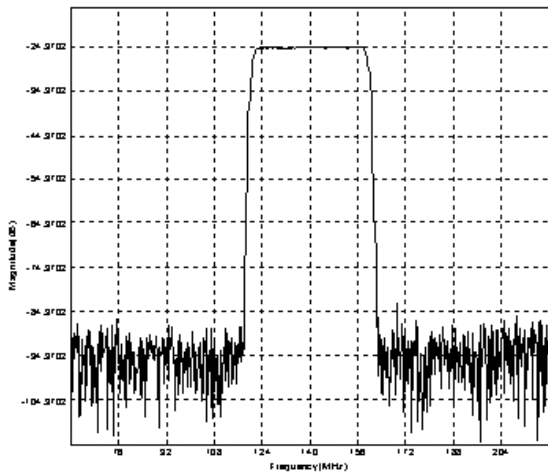
140 MHz Bandpass SAW Filter

37.5 MHz Bandwidth

BP62340

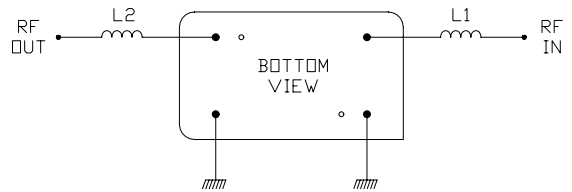
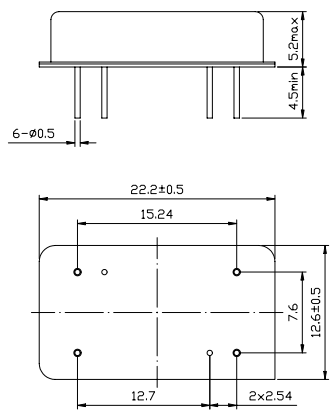
Electrical Characteristics					
Parameter	Sym	Minimum	Typical	Maximum	Unit
Center Frequency at 25°C	f_c	139.8	140.0	140.2	MHz
Insertion Loss at f_c	IL	-	21.1	25.0	dB
1 dB Bandwidth	BW ₁	35.5	36.5	-	MHz
3 dB Bandwidth	BW ₃	37.5	38.1	-	MHz
40dB Bandwidth	BW ₄₀	-	43.6	44.5	MHz
Passband Variation	-	-	0.5	1.0	dB
Phase Linearity	-	-	4	6	Deg
Group Delay Variation	-	-	15	30	nsec
Absolute Delay	-	-	0.99	2	μsec
Ultimate Rejection	-	50	60	-	dB
Substrate Material	-	-	128-LiNbO ₃	-	-
Ambient Temperature	Ta	-	25	-	°C
Package Size	DP2212 (22.1 x 12.7 x 5.2 mm)				

Typical Performance



Package Outline

Matching Configuration



L1 : 47 nH L2 : 39 nH
 Nominal Source/Load Impedance : 50 Ω